

Beam Interaction Veto System

MODULE

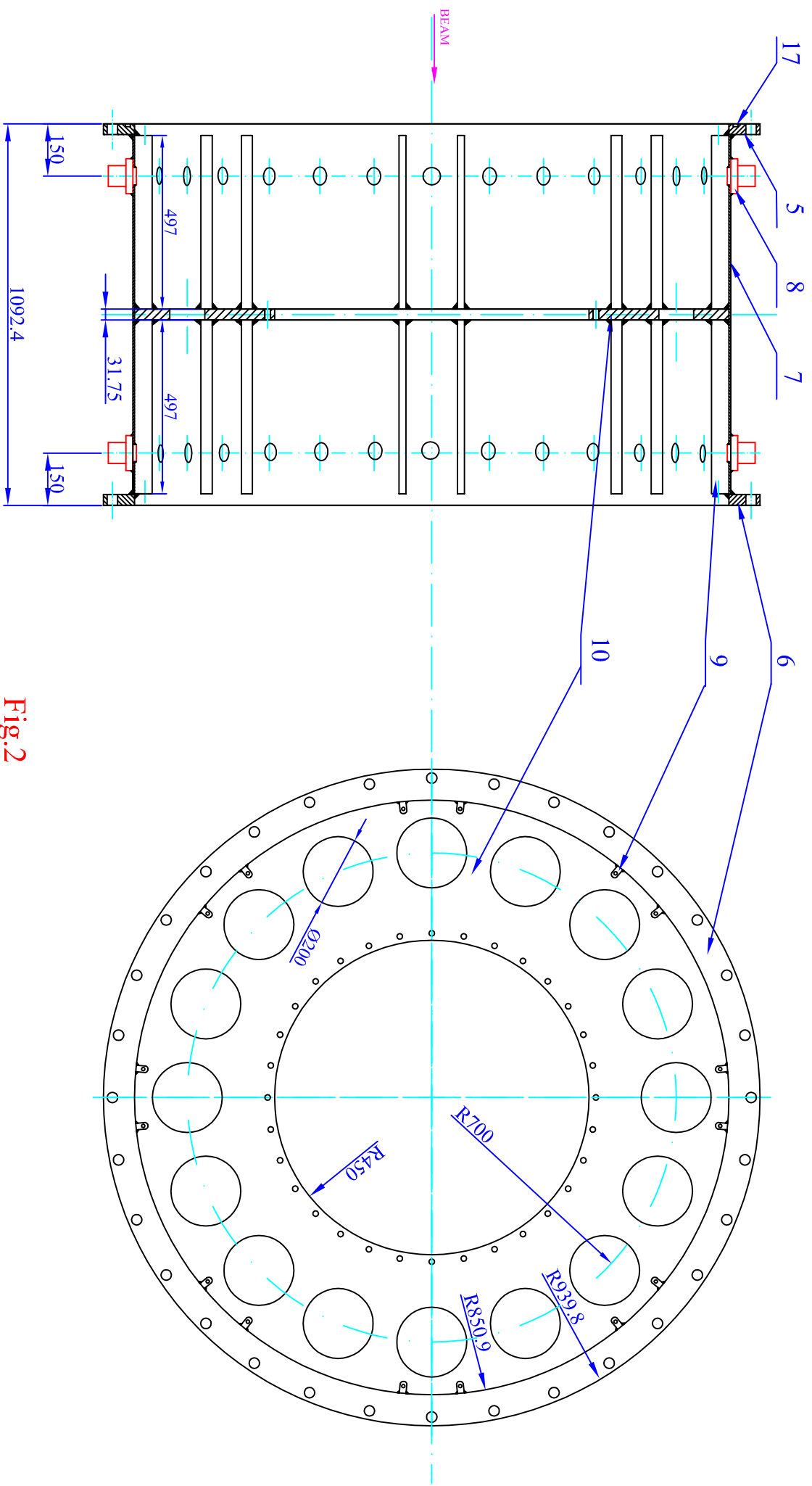


Fig.2