

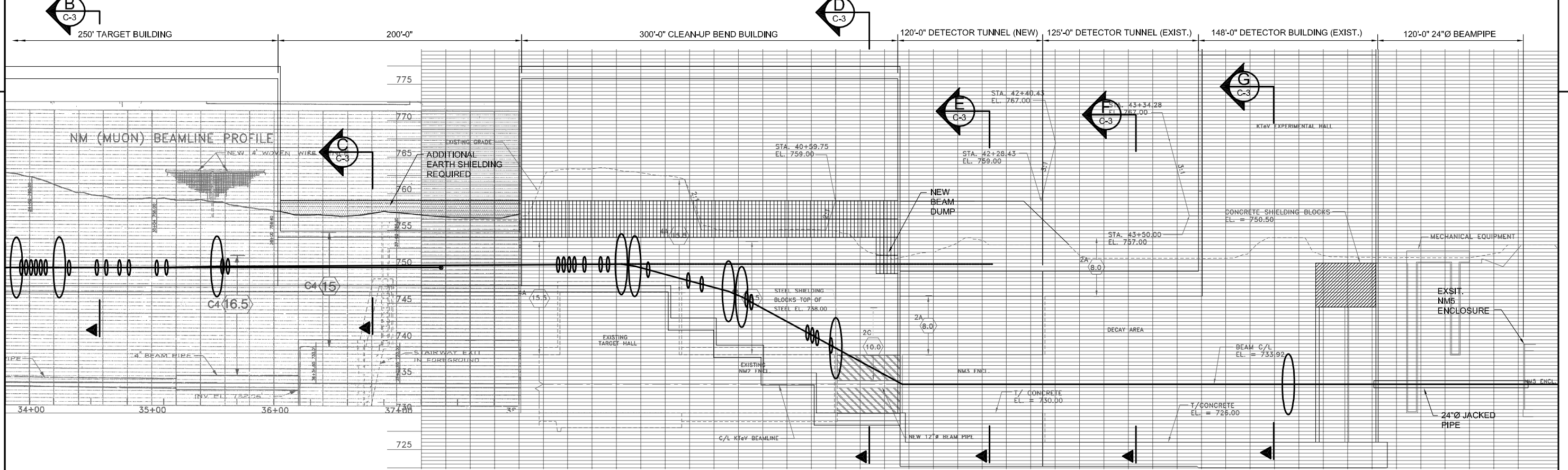
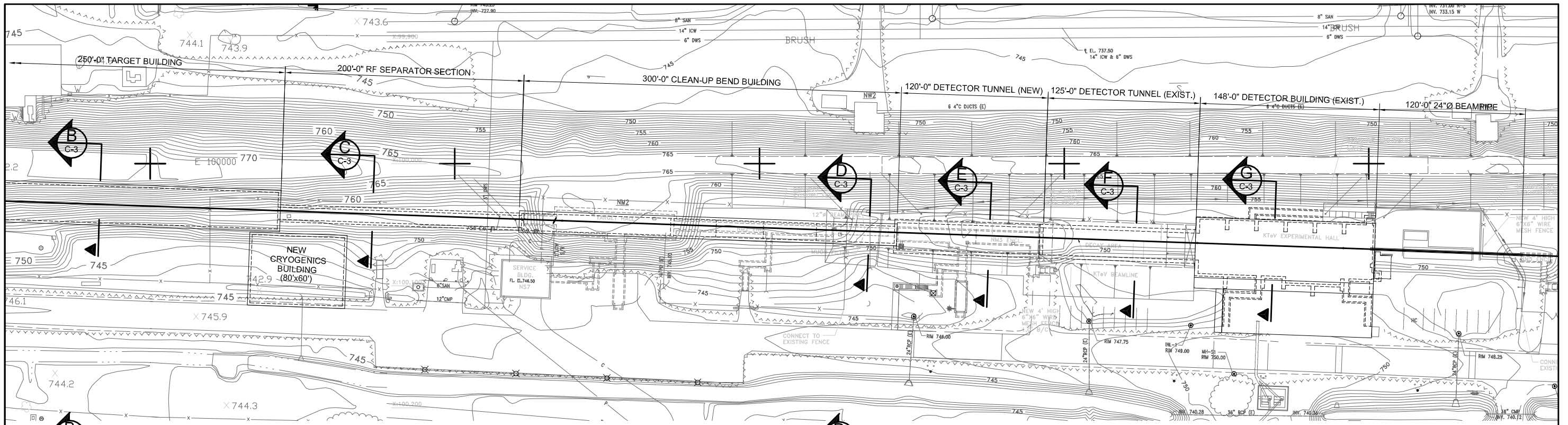
REV.	DATE	DESCRIPTIONS

NAME	DATE
DESIGNED	
DRAWN	R. ALBER
CHECKED	
APPROVED	
SUBMITTED	

SCALE:

FERMI NATIONAL ACCELERATOR LABORATORY
UNITED STATES DEPARTMENT OF ENERGY
CKM EXPERIMENT
PLAN AND PROFILE - SHT. 1 OF 2
DRAWING NO. C-1

REV.

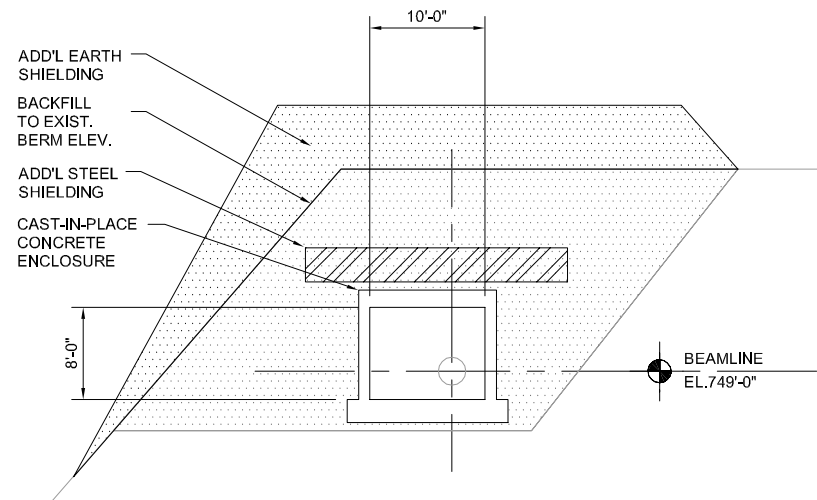


REV.	DATE	DESCRIPTIONS REVISIONS

DESIGNED	NAME	DATE
DRAWN	R. ALBER	
CHECKED		
APPROVED		
SUBMITTED		

SCALE:

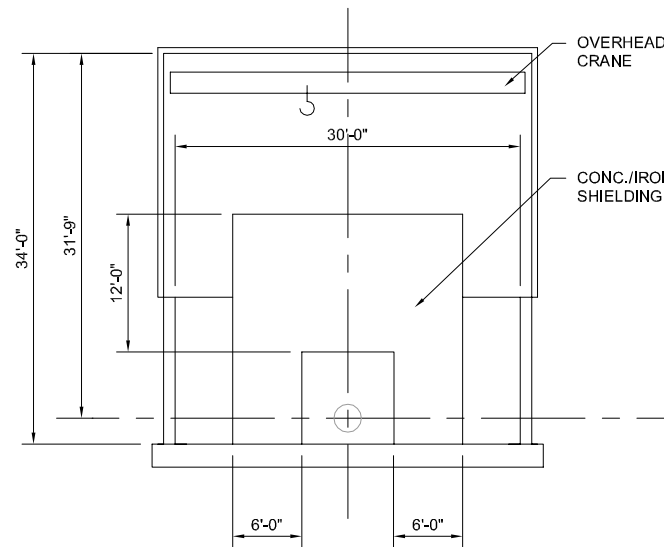
FERMI NATIONAL ACCELERATOR LABORATORY	
UNITED STATES DEPARTMENT OF ENERGY	
CKM EXPERIMENT	
PLAN AND PROFILE - SHT. 2 OF 2	
DRAWING NO.	C-2 REV.



PRE-TARGET TUNNEL SECTION

1/8"=1'-0"

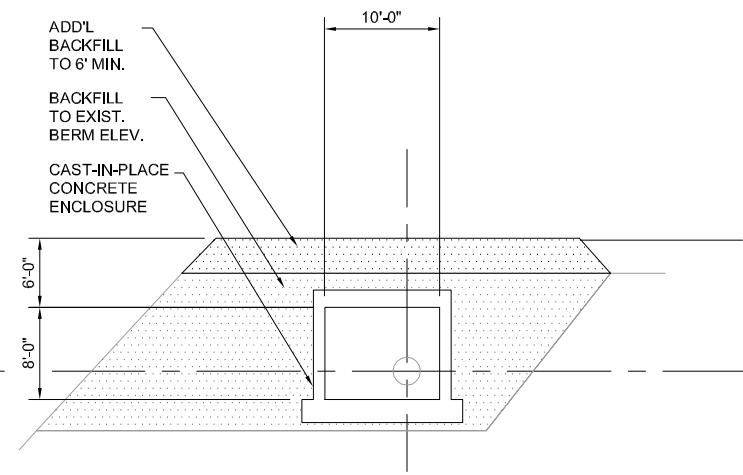
A
C-1



TARGET BUILDING SECTION

1/8"=1'-0"

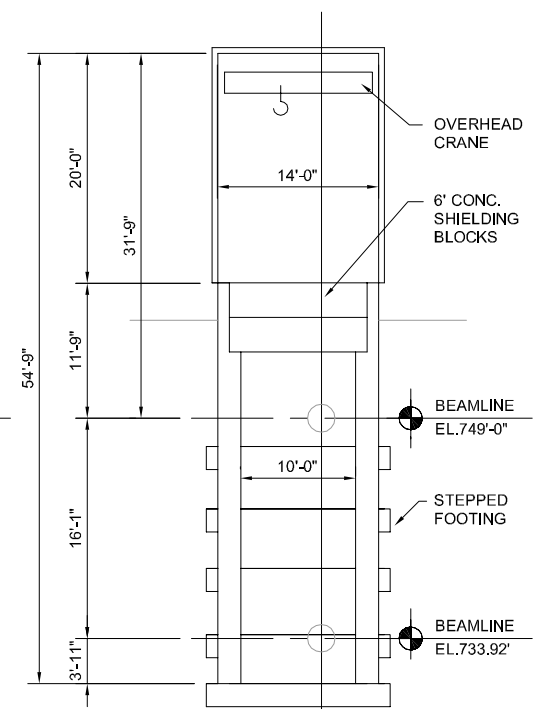
B
C-2



RF SEPARATOR SECTION SECTION

1/8"=1'-0"

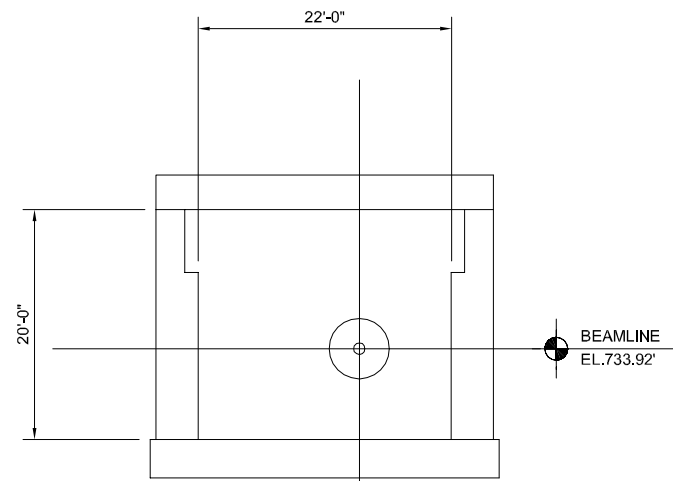
C
C-2



CLEAN-UP BEND BUILDING SECTION

1/8"=1'-0"

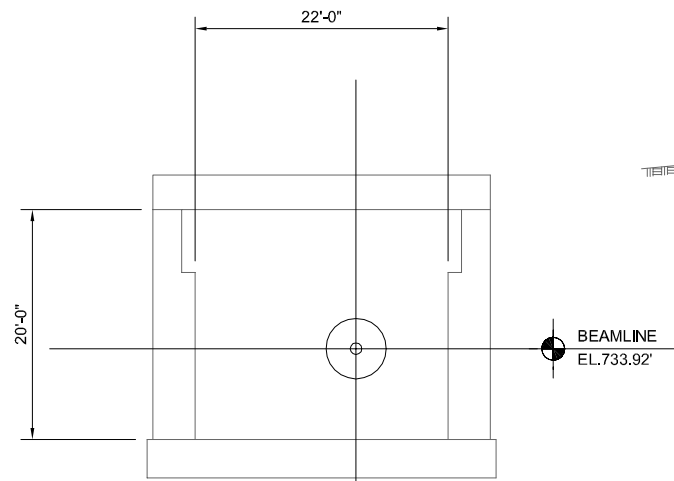
D
C-2



DETECTOR TUNNEL (NEW) SECTION

1/8"=1'-0"

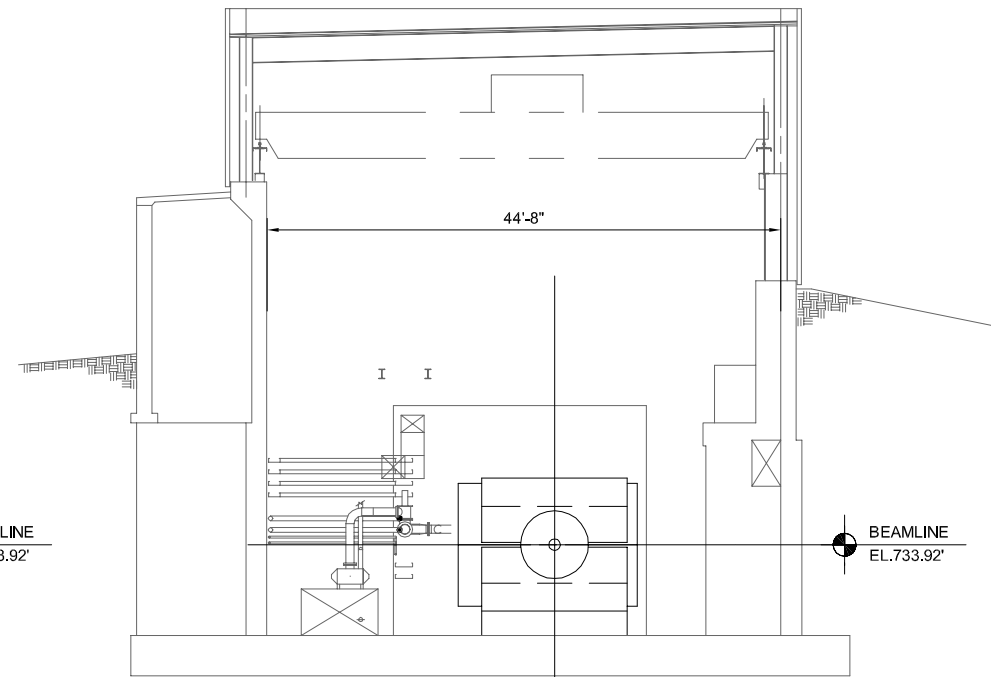
E
C-2



DETECTOR TUNNEL (EXIST.) SECTION

1/8"=1'-0"

F
C-2



DETECTOR BUILDING (EXIST.) SECTION

1/8"=1'-0"

G
C-2


REV.	DATE	DESCRIPTIONS

NAME	DATE

DESIGNED		
DRAWN	R. ALBER	
CHECKED		
APPROVED		
SUBMITTED		

SCALE:	
--------	--

FERMI NATIONAL ACCELERATOR LABORATORY
UNITED STATES DEPARTMENT OF ENERGY



CKM EXPERIMENT
SECTIONS

DRAWING NO. **C-3** REV. **C-3**